



## Mavi Custom Made Toilet Partitions

Modern Sophistication. Absolute Privacy



### Architectural Privacy, Refined

Maintenance Made Easy  
World-Class Hardware  
High-performance Toilet  
Partitions





## About

Whether you are designing a high-traffic public restroom, a high-humidity gym shower, or an upscale corporate executive washroom, choosing the right partition material is essential to achieving your desired balance of aesthetic elegance, durability, and budget.

We offer a comprehensive selection of custom-made restroom solutions tailored to your unique specifications.

 +1 718-874-3805

 5102 21st St Long Island City, NY

 [info@mavinewyork.com](mailto:info@mavinewyork.com)

© 2026 MaviNewYork.com

## Mavi Custom Made Toilet Cubicles



© 2026 MaviNewYork.com

**Architectural Privacy, Refined**



# Mavi Custom Made Toilet Cubicles



Transform your facilities into a seamless extension of your building's architectural intent. Our custom-made toilet partitions deliver a perfect balance of modern sophistication and lasting elegance.

Whether you are outfitting an upscale corporate washroom or a high-humidity athletic facility, our solutions provide an elevated "Floating" aesthetic that enhances the perceived value of your space while maintaining exceptional long-term budget efficiency.

Material	Ideal Environment	Design Flexibility	Durability & Longevity
High-Pressure Laminate (HPL)	Dry commercial spaces prioritizing budget and style	Very High (Diverse Color Palettes)	High
Wood Veneer	Upscale executive washrooms	High (Alder, Birch, Cherry, Maple, Oak, Walnut)	High
Compact Laminate (Phenolic)	High-traffic and high-humidity zones	High (Black Core or Color-Thru seamless finish)	Very High
Solid Surface	Architectural spaces requiring seamless perfection	Very High	Very High (Scratches can be buffed out)





# Mavi Custom Made Toilet Cubicles

Modern Sophistication. Absolute Privacy

## MATERIAL COMPARISON GUIDE

### High-Pressure Laminate (HPL)

Diverse Color Palettes

#### Construction & Durability:

Constructed from a decorative finish sheet bonded to a 45 lb density, industrial-grade, resin-impregnated particleboard core. Performs exceptionally well in industry-standard tests for scratch, dent, and graffiti resistance.



### Wood Veneer Partitions

Diverse Color Palettes

**Construction & Durability:** Choose from domestic and exotic species like Alder, Birch, Cherry, Maple, Oak, and Walnut. Strictly recommended for dry, well-ventilated restrooms to preserve integrity.



### Compact Laminate (Phenolic)

High-traffic / High-humidity Palettes

#### Construction & Durability:

Available in Phenolic Black Core (visible black edge) and Color-Thru Phenolic (continuous color throughout for a seamless finish)



### Solid Surface

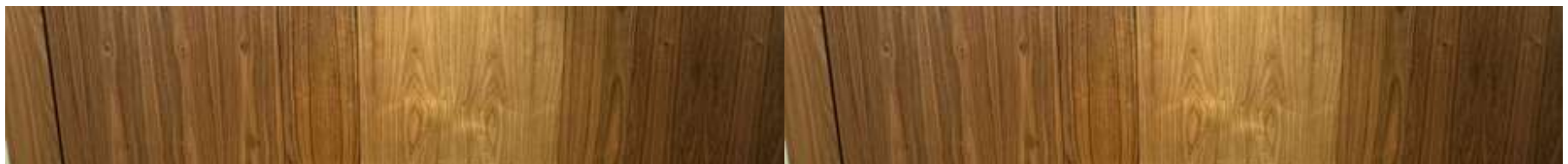
Sophisticated & Architectural

#### Construction & Durability:

Waterproof, non-porous, and perfectly seamless. Surface scratches and minor damage can be buffed out during routine maintenance.



©2026 MaviNewYork.com





# Mavi Custom Made Toilet Cubicles

Modern Sophistication. Absolute Privacy

## MATERIALS ATTRIBUTE COMPARISON

### Cost Comparison

Project budgeting and material tiering alignment.

Material Name	Rating / Tier
High-Pressure Laminate (HPL)	Low Cost
Wood Veneer Partitions	Medium Cost
Compact Laminate	High Cost
Solid Surface Partitions	Very High Cost

### Graffiti Resistance

Performance in high-traffic or unmonitored commercial environments.

Material Name	Rating
High-Pressure Laminate (HPL)	Low
Wood Veneer Partitions	Low
Compact Laminate	High
Solid Surface Partitions	Very High

### Design Flexibility

Capability to match architectural intent and unique layouts.

Material Name	Rating
High-Pressure Laminate (HPL)	Very High
Wood Veneer Partitions	Low
Compact Laminate	High
Solid Surface Partitions	Very High

### Water Resistance

Suitability for high-humidity or wet-down cleaning zones.

Material Name	Rating
High-Pressure Laminate (HPL)	Low
Wood Veneer Partitions	Low
Compact Laminate	Very High
Solid Surface Partitions	Very High



# Mavi Custom Made Toilet Cubicles

Modern Sophistication. Absolute Privacy



## MATERIALS ATTRIBUTE COMPARISON

### Durability

Structural integrity, impact resistance, and life-cycle performance.

Material Name	Rating
High-Pressure Laminate (HPL)	High
Wood Veneer Partitions	High
Compact Laminate	Very High
Solid Surface Partitions	Very High

### Color Options & Patterns

Aesthetic configurations and available finishes.

Material Name	Rating
High-Pressure Laminate (HPL)	Very High
Wood Veneer Partitions	Low
Compact Laminate	High
Solid Surface Partitions	High

### Fire Rating

Compliance performance against commercial building safety codes.

Material Name	Rating
High-Pressure Laminate (HPL)	High
Wood Veneer Partitions	Low
Compact Laminate	Very High
Solid Surface Partitions	Very High



# Mavi Custom Made Toilet Cubicles

Modern Sophistication. Absolute Privacy

## MOUNTING STYLES

### Overhead Braced

Secure and rigid; recommended for heavy-use settings with an anti-grip top rail for safety and durability.



### Floor Mounted

Offers spaciousness with clean lines; ideal for high ceilings and a range of design possibilities.



### Ceiling Anchored

Provides a clean, contemporary look; simplifies floor maintenance and suits modernized spaces.



### Floor to Ceiling

Maximum strength and abuse resistance; securely connected to floor, ceiling, and walls for unmatched durability.



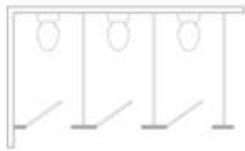


# Mavi Custom Made Toilet Cubicles

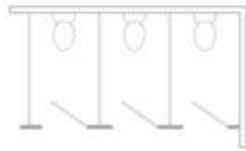
Modern Sophistication. Absolute Privacy

## LAYOUT EXAMPLES

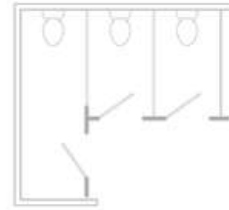
Corner Layout (Left)



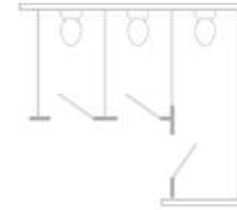
Corner Layout (Right)



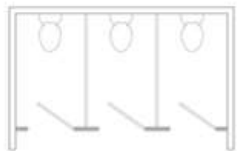
Alcove Open (Left)



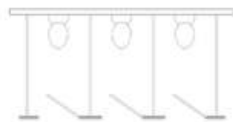
Alcove Open (Right)



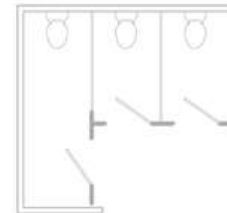
Between Walls



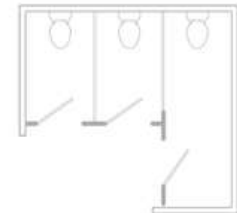
Free Standing



Alcove Closed (Left)



Alcove Closed (Right)





# Mavi Custom Made Toilet Cubicles

Modern Sophistication. Absolute Privacy



**Equinox Wall Street**  
14 Wall St, New York, NY



**Lockers**  
**Amazon**  
Williamsburg, New York

## SOME OF OUR CLIENTS



**Toilet partitions**  
**JetBlue**  
Queens Plz Long Island City, NY



**Lockers Toilet partitions**  
**Park Central Hotel**  
870 7th Ave, New York, NY

We serve to commercial and public buildings such as hotels, offices, healthcare facilities, retail spaces, sport complexes, shopping malls, schools and churches. Installation Services are available in New York Metropolitan Area, Connecticut and New Jersey. We sale nationwide.



# Mavi Custom Made Toilet Cubicles

Modern Sophistication. Absolute Privacy

## DESIGN FEATURES

- Modern minimalist design
- Total privacy style of partitions
- The "Floating" Aesthetic
- Maintenance Made Easy
- World-Class Hardware
- High-performance MEDEX® core panels

## CONSTRUCTION FEATURES

- The partitions is **3/4 inches** (19 mm) thick with Laminate
- They are built with a **Natural Wood Veneer** and **Custom Plastic Laminate**
- The design is characterized by innovative, durable and stylish toilet partition hardware

## PANEL

- Panels are **3/4 inches** (19 mm) thick. Each panel is equipped with floor feet.

## DOOR

- Doors are **3/4 inches** (19 mm) thick.
- The doors include a door bumper to ensure silent operation

## PILASTER

- Pilasters are also **3/4 inches** (19 mm) thick, constructed from 1/16-inch Plastic Laminate sheets
- Pilasters are supported by two floor feet with mechanical adjustments to allow for leveling during installation.

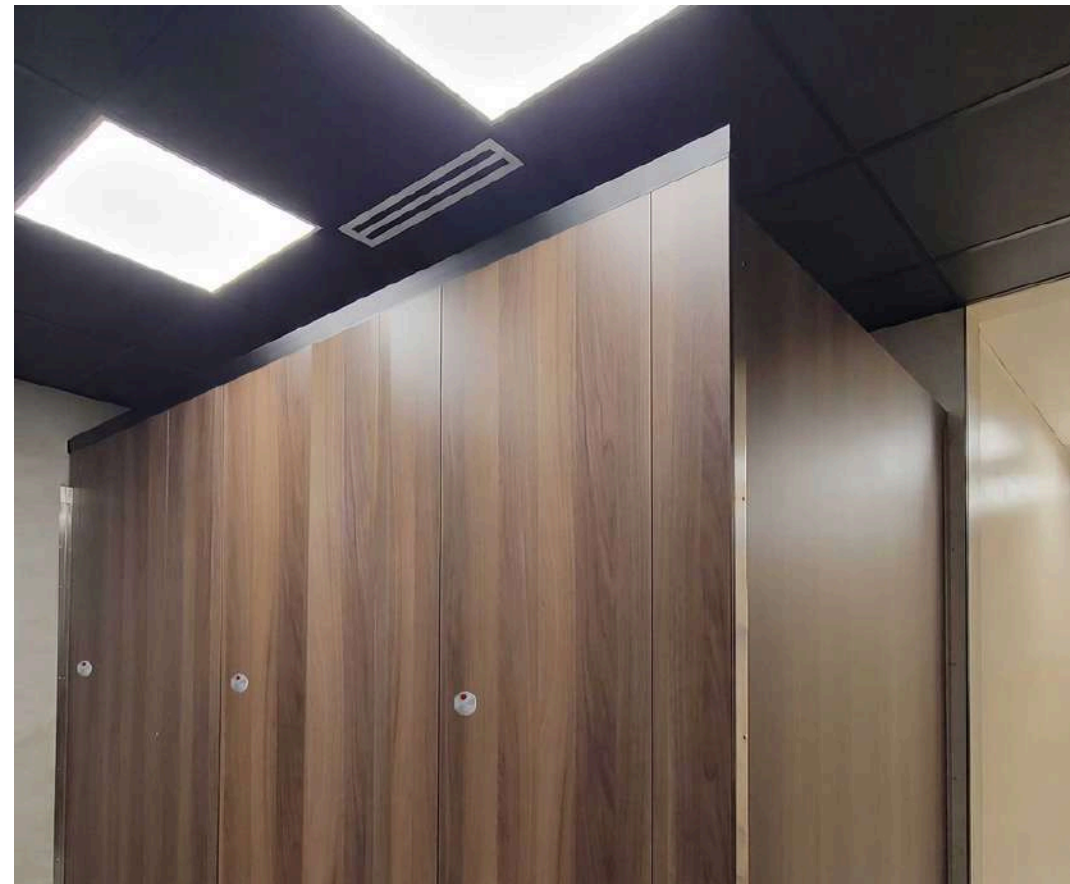
## PRODUCT COMPLIANCE

### Complies with

- ADA
- Ambulatory Toilets
- AS1428.1 compliance
- Antimicrobial Protected



© 2026 MaviNewYork.com





# Mavi Custom Made Toilet Partitions

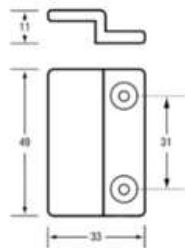
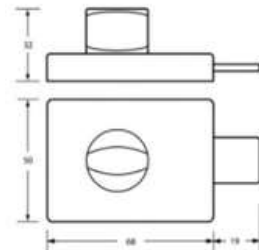
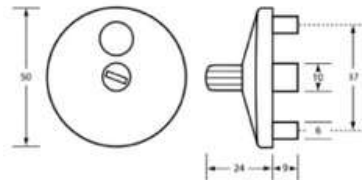
Modern Sophistication. Absolute Privacy

## COMMON PARTITION HARDWARE

- Innovative, durable and stylish
- Strong warranty
- ADA compliance for ambulant cubicle

## LOCK & INDICATOR SET

- Satin Chrome Plate
- Diecast Zinc, Alloy ZP3
- Brass Indicator
- Lift Off Staple
- Concealed Fix



SPECIFICATION (SKU: Mavi-CP-101)	
Material	Indicator: Brass Turn bolt: Diecast Zinc, Alloy ZP3 Lift Off Staple: Diecast Zinc, Alloy ZP3 with ABS Snap-On Cover
Finish	Antimicrobial Coated
Mounting	Concealed Screw Fix Surface Mounted Supplied with universal fixing pack to suit board thickness variation between 12mm to 38mm For board thickness outside this range please contact the Mavi New York Customer Service Team
Components	Indicator, turn bolt and lift off staple

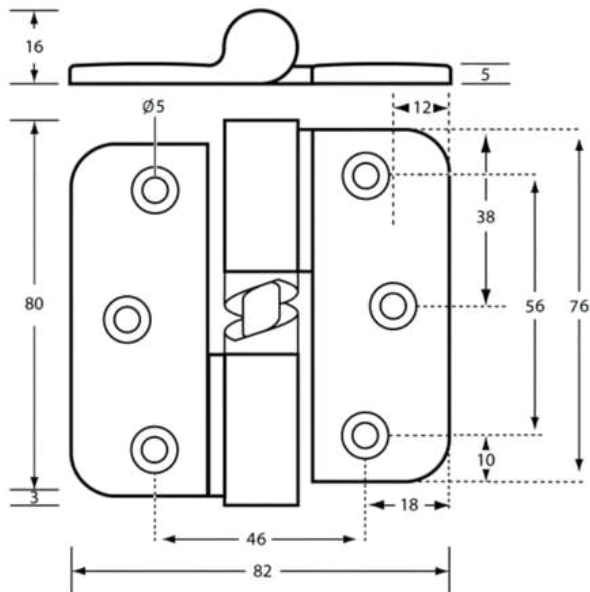


# Mavi Custom Made Toilet Partitions

Modern Sophistication. Absolute Privacy

## HINGE

- Satin Chrome Plate
- Diecast Zinc, Alloy ZP3
- Brass Shaft, Nylon Inserts, ABS Snap-On Covers
- Concealed Screw Fix or Bolt Through
- Liftoff Capability
- Available in Hold Open or Hold Closed
- Available in Left Hand or Right Hand



SPECIFICATION		(SKU: Mavi-CP-102)
Material	Diecast Zinc, Alloy ZP3 #304 Grade Stainless Steel Shaft Nylon Inserts ABS Snap On Covers	
Finish	Satin Chrome Plate	
Mounting	Concealed Screw Fix or Bolt Through Universal Screw Fixings Supplied	
Minimum Hinge Clearance For Lift-Off Hinges	30mm	
Load Rating	15Kg per hinge For optimum performance - 2 hinges per door up to 30Kgs	

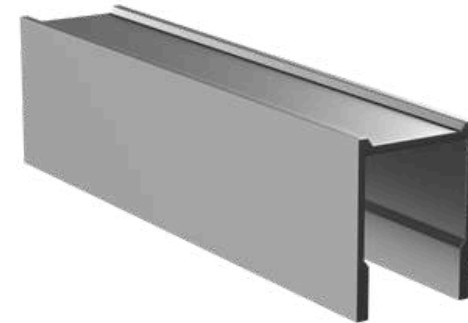
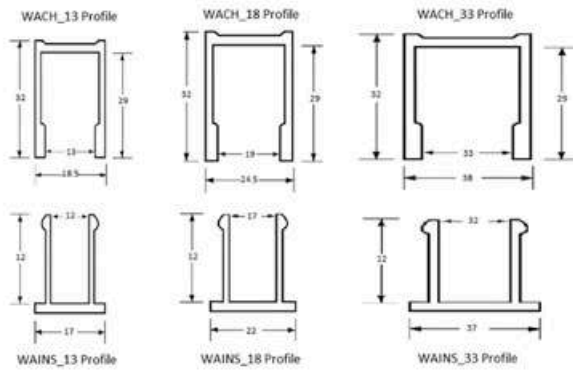


# Mavi Custom Made Toilet Partitions

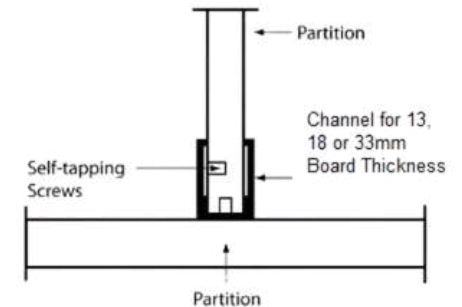
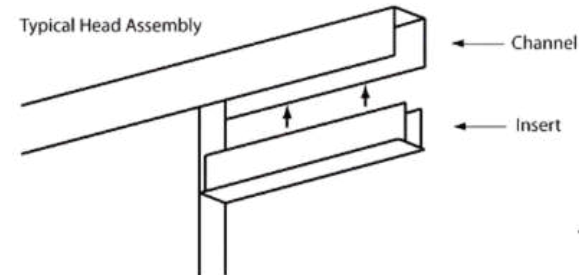
Modern Sophistication. Absolute Privacy

## 18MM U SHAPE CHANNEL

- Anodised Aluminium
- Available in a Range of Sizes



Channel Size	13mm	13mm	18mm	18mm	33mm
Channel Length	1800mm	3600mm	1800mm	3600mm	1800mm
Board Thickness	13	13	18	18	33



Channel Size	13mm	18mm	33mm
Channel Length	2700mm	2700mm	2700mm
Suits Channel	WACH13_18 WACH13_36 WACH13_18CORNER WACH13_36 CORNER UNICH_18 UNICH_36 WAINS_13_DESIGNER UNICH_36_DESIGNER	WACH18_18 WACH18_36 WACH18_18CORNER WACH18_36CORNER WACH33_18 WAINS_18_DESIGNER UNICH_36_DESIGNER	WACH33_18 WACH33_18_PACK WACH33_18_CORNER WACH33_18_CORNER_PACK

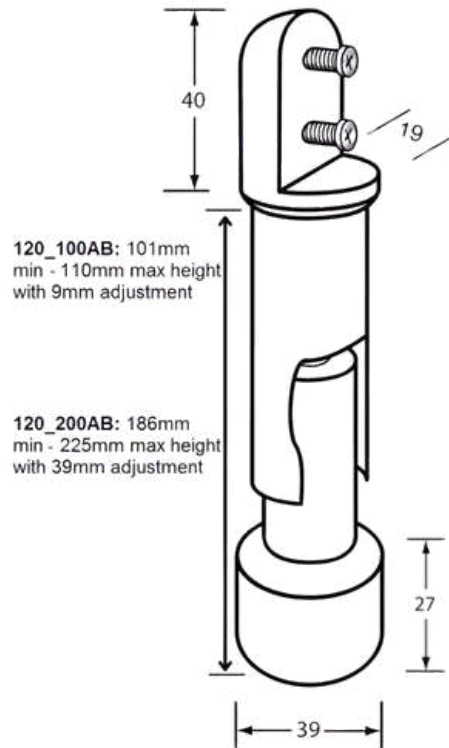


# Mavi Custom Made Toilet Partitions

Modern Sophistication. Absolute Privacy

## CUBICLE LEGS

- Innovative, durable and stylish
- Heavy Duty Full Leg in Aluminium
- Natural Anodised
- Off Floor System



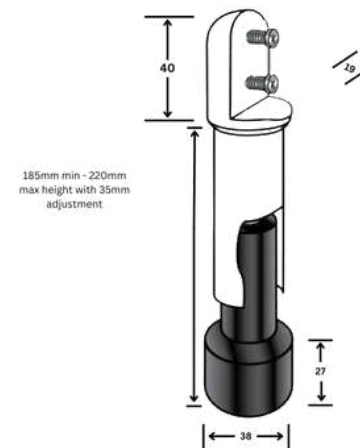
## SPECIFICATION

(SKU: Mavi-CP-103)

Material	Aluminium
Finish	Natural Anodised
Dimensions	101mm min - 110mm max height with 9mm adjustment
Features	Off Floor System

## OTHER OPTION

Heavy Duty Leg in Stainless Steel





## Mavi Custom Made Toilet Partitions

Modern Sophistication. Absolute Privacy

### DOOR BUMPER

- Innovative, durable and stylish
- Strong warranty
- ADA compliance for ambulant cubicle
- Satin Chrome Plate

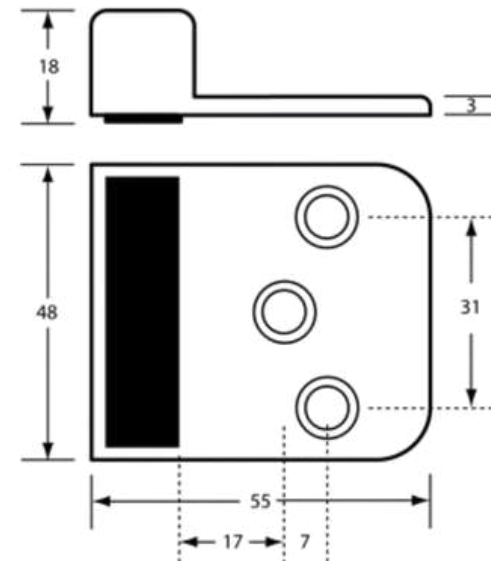
#### FINISH



### SPECIFICATION

(SKU: Mavi-CP-104)

Material	Diecast Zinc, Alloy ZP3 Rubber Insert ABS Snap On Cover
Finish	Satin Chrome Plate
Mounting	Concealed Screw Fix or Bolt Through





## Mavi Custom Made Toilet Partitions

Modern Sophistication. Absolute Privacy

### COAT HOOK WITH BUMPER

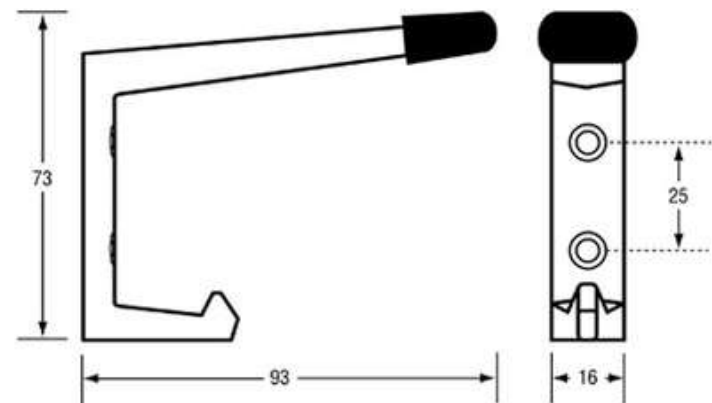
- Diecast Zinc Alloy ZP3
- Rubber Bumper
- Screw Fix
- Satin Chrome Plate



### SPECIFICATION

(SKU: Mavi-CP-105)

Material	Diecast Zinc, Alloy ZP3 Rubber Bumper
Finish	Satin Chrome Plate
Mounting	Screw Fix



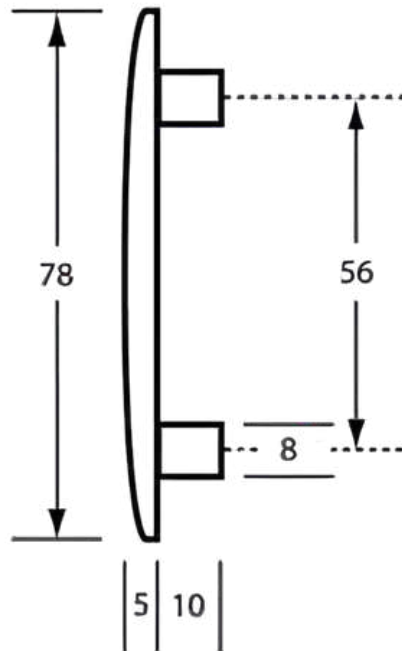


# Mavi Custom Made Toilet Partitions

Modern Sophistication. Absolute Privacy

## FACEPLATE CONCEALED FIX

- Diecast Zinc, Alloy ZP3
- Bolt Through
- Satin Chrome Plate



## SPECIFICATION

(SKU: Mavi-CP-106)

Material	Diecast Zinc, Alloy ZP3
Finish	Satin Chrome Plate
Mounting	Bolt Through (M5 Stainless Steel thread)



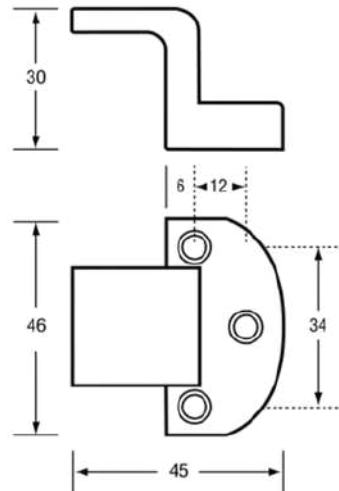


# Mavi Custom Made Toilet Partitions

Modern Sophistication. Absolute Privacy

## OVERLAPPING LIFT OFF STAPLE

- Satin Chrome Plate
- Diecast Zinc, Alloy ZP3
- ABS Snap On Cover
- Concealed Screw Fix
- Suits OL105\_13 Overlapping Lift Off Spring Hinge



## SPECIFICATION

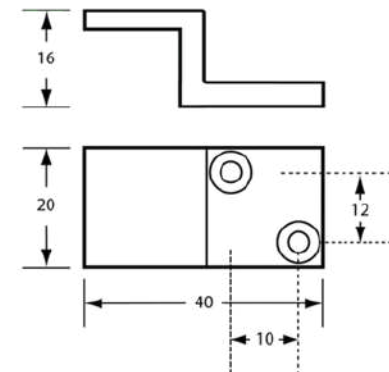
(SKU: Mavi-CP-107)

Material	Diecast Zinc, Alloy ZP3 ABS Snap On Cover
Finish	Satin Chrome Plate
Mounting	Concealed Screw Fix

## NOTES

- Overlapping Lift-Off Spring Hinge
- Suits 13mm board
- For 18mm or 33mm board

## OTHER OPTION





## Mavi Custom Made Toilet Partitions

Modern Sophistication. Absolute Privacy

### Custom Made Toilet Partition Hardware

Innovative, durable, and stylish hardware with a strong warranty and ADA compliance.

A premium partition system is only as good as the hardware that holds it together. Mavi New York hardware components are engineered to be innovative, stylish, and highly durable. Built to satisfy strict commercial standards, our hardware features a strong warranty and full ADA compliance for ambulant cubicles.

#### Also available in:

- Satin Chrome Plate
- Satin Pearl Plate
- Antimicrobial Finish
- Antimicrobial and Designer Matte Black



## Step-by-Step Project Workflow

Modern Sophistication. Absolute Privacy.

### Consult & Engineering

Our in-house architects and engineers draft detailed, free shop drawings to ensure absolute precision.

### Custom Fabrication

We manufacture your partitions using high-end techniques like edge banding and zero-sightline cutting.

### Delivery & Install

We ship securely nationwide, or deploy our union-insured teams for local installation in NY, NJ, and CT.

To integrate Mavi Custom made Partitions into your next project, contact our New York design team for custom specifications and material samples.

📞 +1 718-874-3805

📍 5102 21st St Long Island City, NY

✉️ [info@mavinewyork.com](mailto:info@mavinewyork.com)

© 2026 MaviNewYork.com