



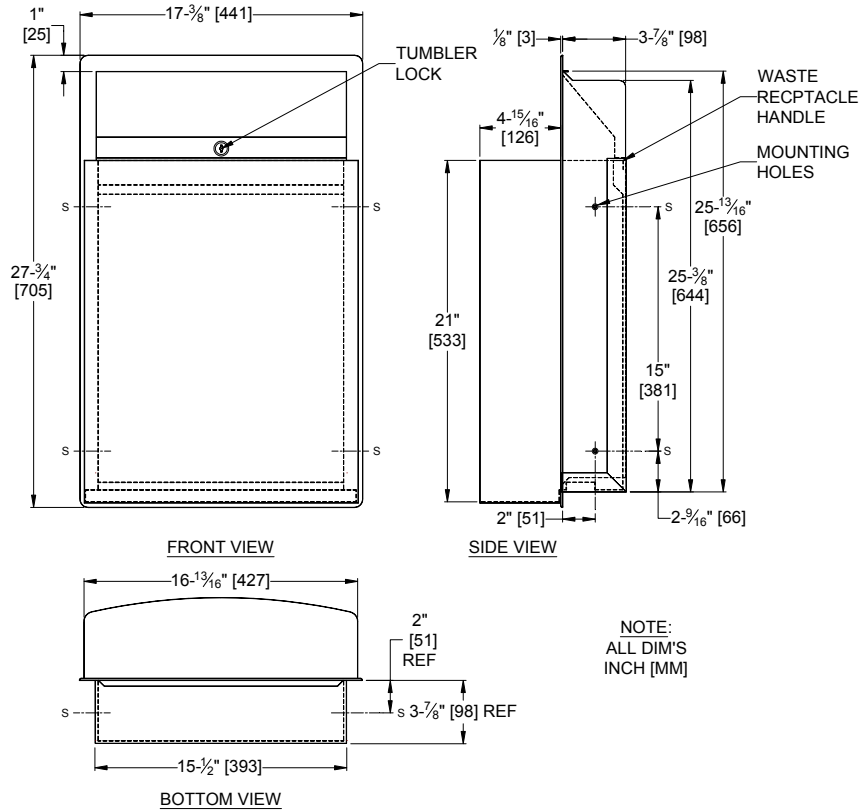
**AMERICAN SPECIALTIES, INC.**  
 441 Saw Mill River Road, NY 10701  
 (914) 476.9000 • (914) 476.0688  
 www.americanspecialties.com

**MODEL №: 20458**

**ISSUED: 08/09**

**REVISED: 01/10**

**ROVAL™ SEMI-RECESSED WASTE RECEPTACLE**



**SPECIFICATION**

Roval™ Collection Semi-Recessed Waste Receptacle shall have a capacity of 11.2 gal (42.6 liters). Cabinet full front waste receptacle shall be formed seamless and shall have bowed front face and gently radiused edges to provide added strength and complimentary appearance for modern washroom aesthetics. Waste receptacle shall be fabricated of 20 gauge type 304 stainless steel alloy 18-8. Frame and cabinet shall be 22 gauge type 304 stainless steel alloy 18-8. All exposed surfaces shall have a satin finish and shall be protected during shipment with PVC film easily removable after installation. Waste receptacle with internal bag-hanger hooks shall have a fully hemmed top edge for safety and a rear handle for service ease and is retained by a tumbler lock keyed alike to other ASI washroom equipment. Face trim shall be 1" (25) wide formed from one piece with no miters, welding or open seams and have 1/8" (3) radiused return to wall. Structural assembly of body and door components shall be of welded construction.

**Roval™ Collection Semi-Recessed Waste Receptacle shall be Model № 20458 of American Specialties, Inc., 441 Saw Mill River Road, Yonkers, New York 10701-4913**

**INSTALLATION**

Mount unit in wall recess using № 10 self-tapping flat head screws (by others) through concealed mounting holes provided. For compliance with ADA Accessibility Guidelines install unit so that top edge of waste receptacle is below 48" (1219) maximum above finished floor (AFF) if clear floor reach access is provided. Install unit for general utility with bottom trim edge 16" (406) AFF. Note that top of rough wall opening is 7/8" (22) below top of unit.

**Rough Wall Opening (RWO) required is 15-3/4" W x 26" H x 3-15/16" D (400 x 660 x 100)**

**OPERATION**

Waste receptacle is emptied manually on cycle determined by maintenance requirements. Disposable liner bags (by others) may be purchased to hang on internal hooks or may be draped over rim and held in place when receptacle is locked into cabinet. Keyed tumbler lock prevents unauthorized removal.